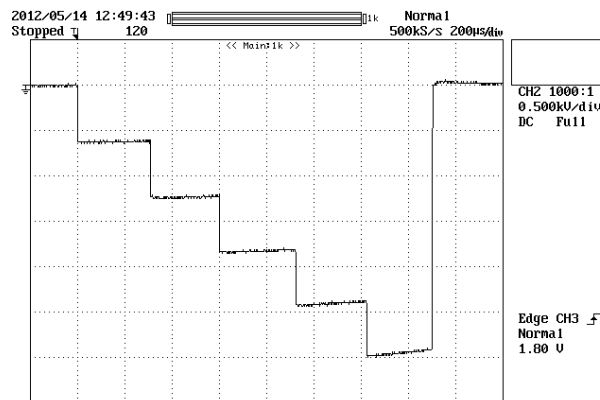
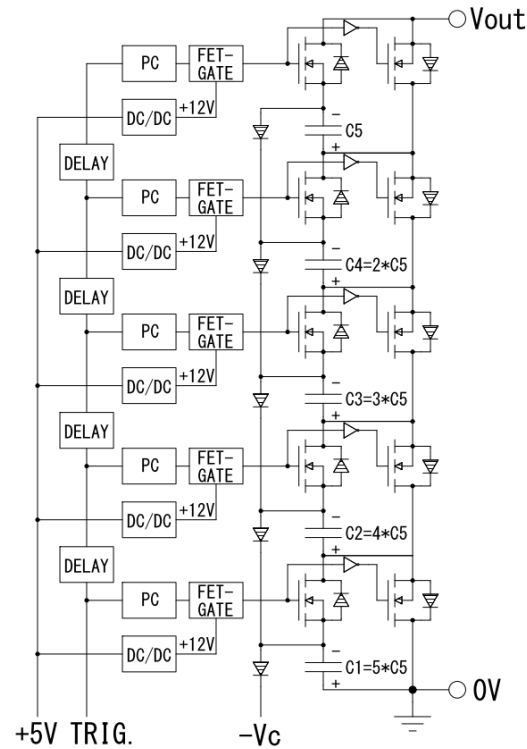


Pulse shaping Solid-state Marx PS

Charging Voltage	-600V
Output Voltage	-3kVp
Output Current	20Ap
Marx stages	5
Pulse Width	1.5ms
Repetition	5Hz



CH2:Output Voltage 500V/div
200 μ s/div



Pulsed Power Japan Laboratory Ltd.

Techno Factory Shiga Bldg. No. 2, 7-3-46, Noji-higashi, Kusatsu, Sjiga, 525-0058, Japan

TEL: +81-77-598-1470 FAX: +81-77-598-1490

HP: <http://www.mypj.com> Mail: info@myppj.com